

# G Series Infrared Saunas

*The high value solution in Infrared!*



**CarbonFlex™**

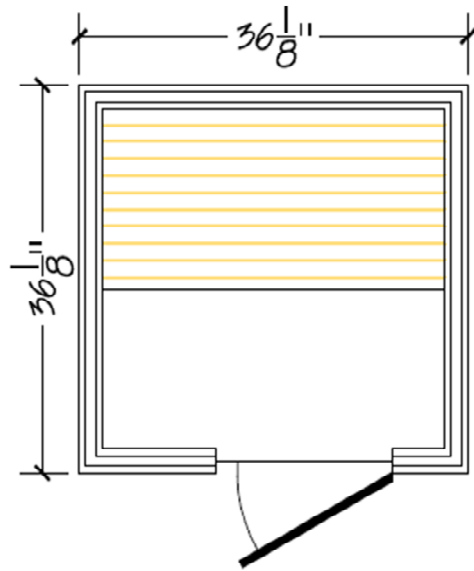
**finnleo®**  
pure sauna

# G 100

# CarbonFlex™



- ✓ 1-person capacity
- ✓ 15 amp simple plug-in model
- ✓ 36" d x 36" w x 75" h
- ✓ Canadian Hemlock interior & exterior
- ✓ Interior SaunaLogic™ Touch Pad control
- ✓ SaunaTone™ AV System
- ✓ 5-year emitter warranty
- ✓ 1-year wood & control warranty



*Plugs into a standard 15 amp outlet!*

*3" clearance on sides of unit and 8" overhead clearance required for installation*



\* Rooms cannot be altered

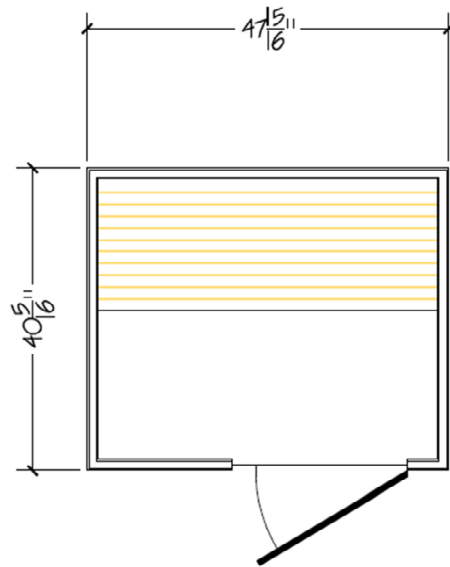
\* Pre-delivery site inspection recommended to insure room will fit

# G 200

# CarbonFlex™



- ✓ 3-person capacity
- ✓ 15 amp simple plug-in model
- ✓ 40" d x 48" w x 75" h
- ✓ Canadian Hemlock interior & exterior
- ✓ Interior SaunaLogic™ Touch Pad control
- ✓ SaunaTone™ AV System
- ✓ 5-year emitter warranty
- ✓ 1-year wood & control warranty



*Plugs into a standard 15 amp outlet!*

*3" clearance on sides of unit and 8" overhead clearance required for installation*



*\* Rooms cannot be altered*

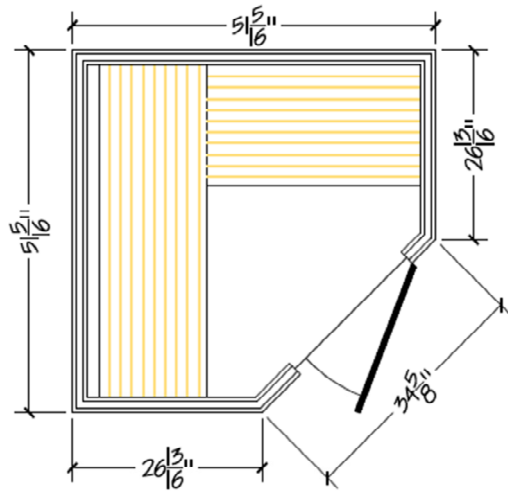
*\* Pre-delivery site inspection recommended to insure room will fit*

# G 300

# CarbonFlex™



- ✓ 3-person capacity
- ✓ 15 amp simple plug-in model
- ✓ 52" d x 52" w x 75" h
- ✓ Canadian Hemlock interior & exterior
- ✓ Interior SaunaLogic™ Touch Pad control
- ✓ SaunaTone™ AV System
- ✓ 5-year emitter warranty
- ✓ 1-year wood & control warranty



*Plugs into a standard 15 amp outlet!*

*3" clearance on sides of unit and 8" overhead clearance required for installation*



\* Rooms cannot be altered

\* Pre-delivery site inspection recommended to insure room will fit